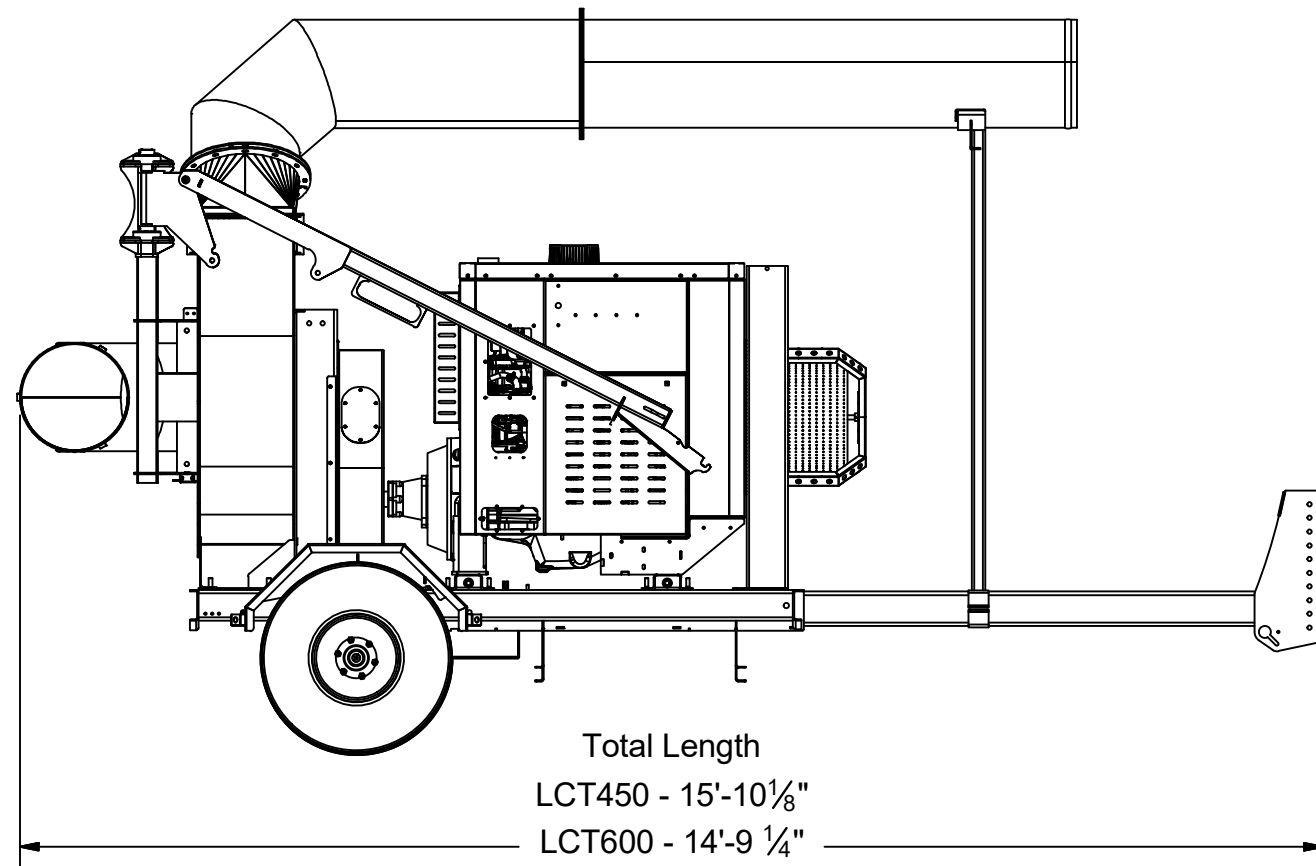


Total Width w/ Hose
 LCT450 - 6'-7"
 LCT600 - 5'-11"
 LCT6000 - 6'-7"
 LCT650 - 6'-7"

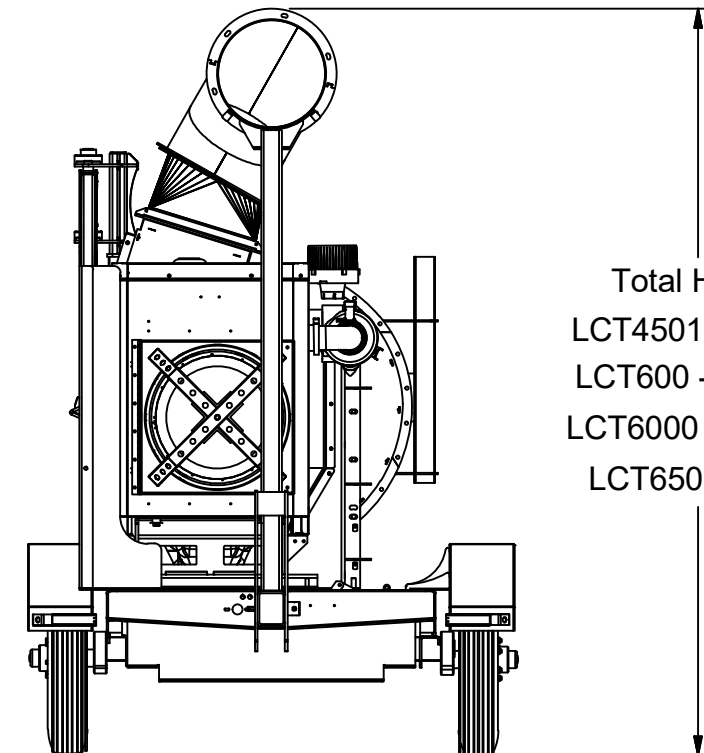
LCT Units Height, Width and Length Dimensions

Curb Weights (standard):

- LCT45019: 4,500 lbs
- LCT600: 4,500 lbs
- LCT650: 5,160 lbs
- LCT6000: 5,980 lbs



Total Length
 LCT450 - 15'-10 1/8"
 LCT600 - 14'-9 1/4"
 LCT6000 - 15'-3 3/8"
 LCT450 - 15'-10 1/8"



Total Height
 LCT45019 - 9'-7/8"
 LCT600 - 9'-2 3/4"
 LCT6000 - 9'-6 3/8"
 LCT650 - 9'-7/8"