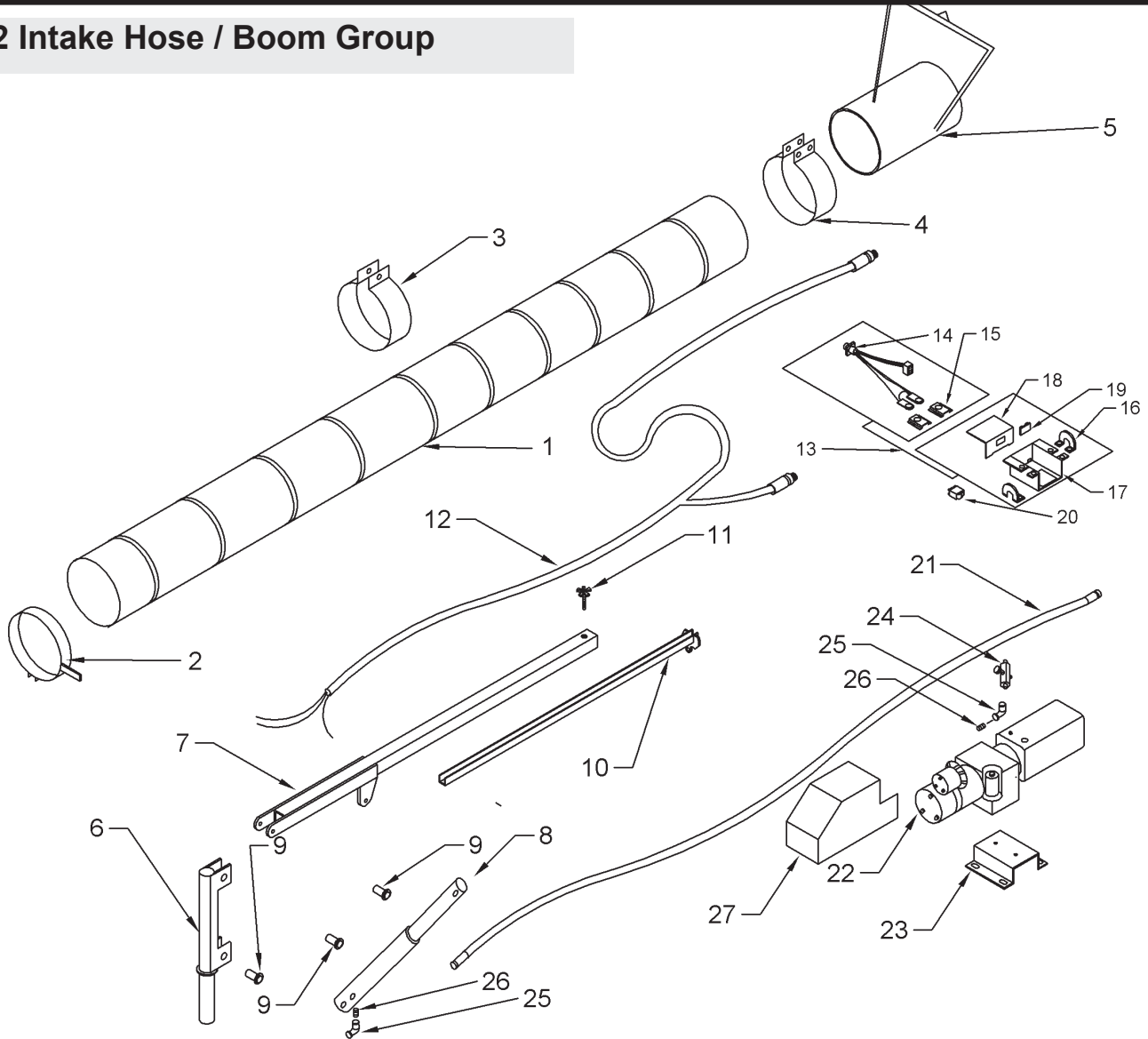


# Parts Breakdown Section

## 6-22 Intake Hose / Boom Group



#	PART NO.	DESCRIPTION	#	PART NO.	DESCRIPTION
1.	LC-SDH.16.120.UC	Intake Hose	15.	STD.2322	Button Hold Down
2.	450.1607	Hose Band, Housing	16.	LCT616.615D	Hold Down Bracket
3.	LCT616.603U	Support Band	17.	STD.2320E	Push Button Box
4.	SCL816.604	Hose Band, Nozzle	18.	STD.2320D	Push Button Cover
5.	LCT616.601	Intake Nozzle	19.	STD.2323	Cover Plate
6.	550.1608	Boom Mast	20.	4045.0021A	Rock Switch
7.	550.1601	Boom Arm	21.	LCT617.608	Hydraulic Hose
8.	CS.150.12	Boom Cylinder	22.	MP-M259	Hydraulic Pump
9.	200011	Pin	23.	LCT650.104	Pump Bracket
10.	550.1601B	Boom Extension	24.	LCT617.604	Flow Control Valve
11.	450.1605	Lockdown Knob	25.	9405.4.4	90 Degree Fitting
12.	60C.2322	Boom Wiring Harness	26.	9205.4.4	Straight Fitting
13.	STD.2320	UP/Down Switch Assembly	27.	259PC	Pump Cover
14.	STD.2321	Switch and Harness			

Manufactured by



**ODB COMPANY**