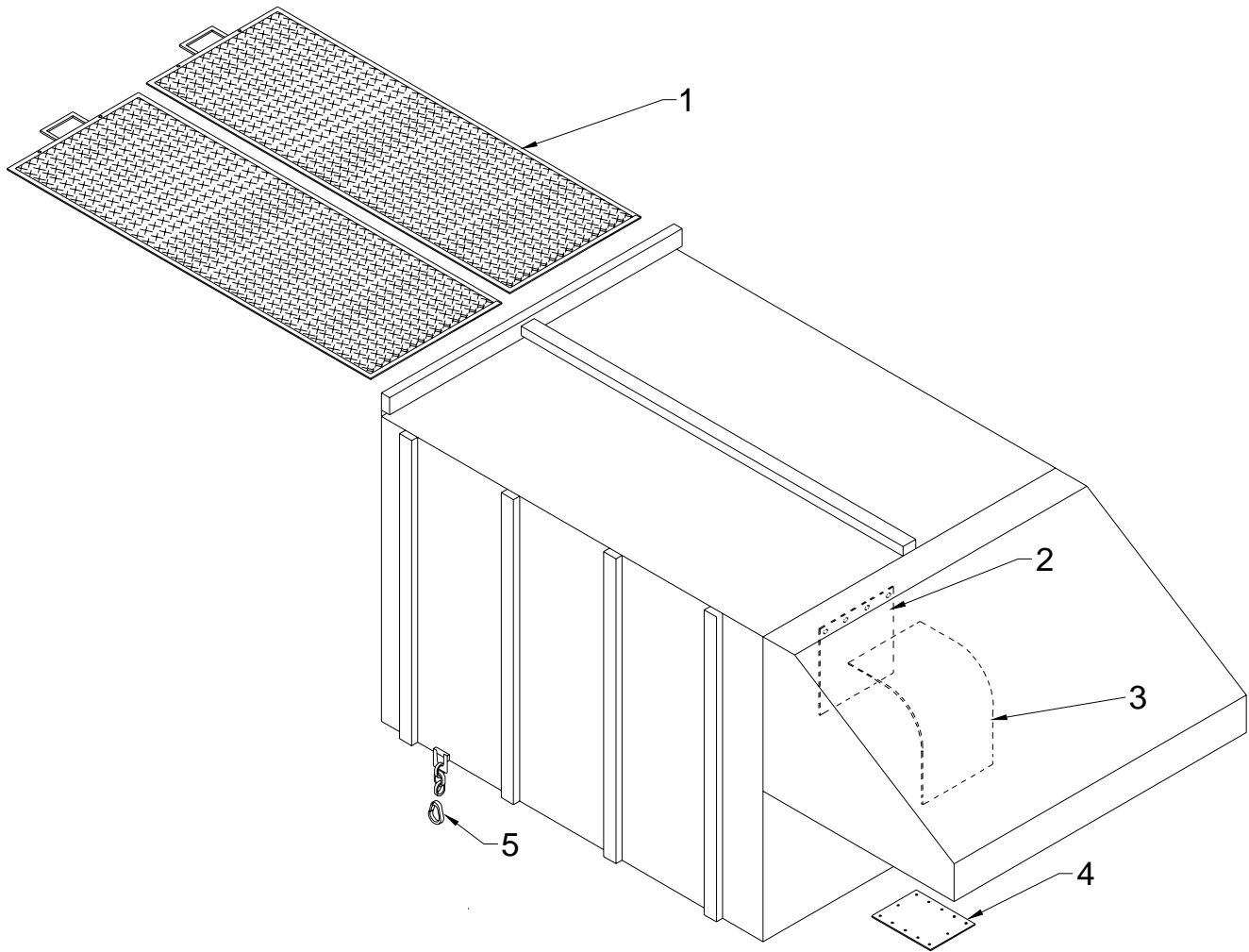


Parts Breakdown Section

6.8 Box Container Group



ITEM NO.	PART NUMBER	DESCRIPTION
1.	SCL805.810	Exhaust Screen
2.	SCL800.811	Deflector Rubber Flap
3.	80.0059	Deflector Liner
4.	80.0058	Cover Plate
5.	200008	Spring Clip