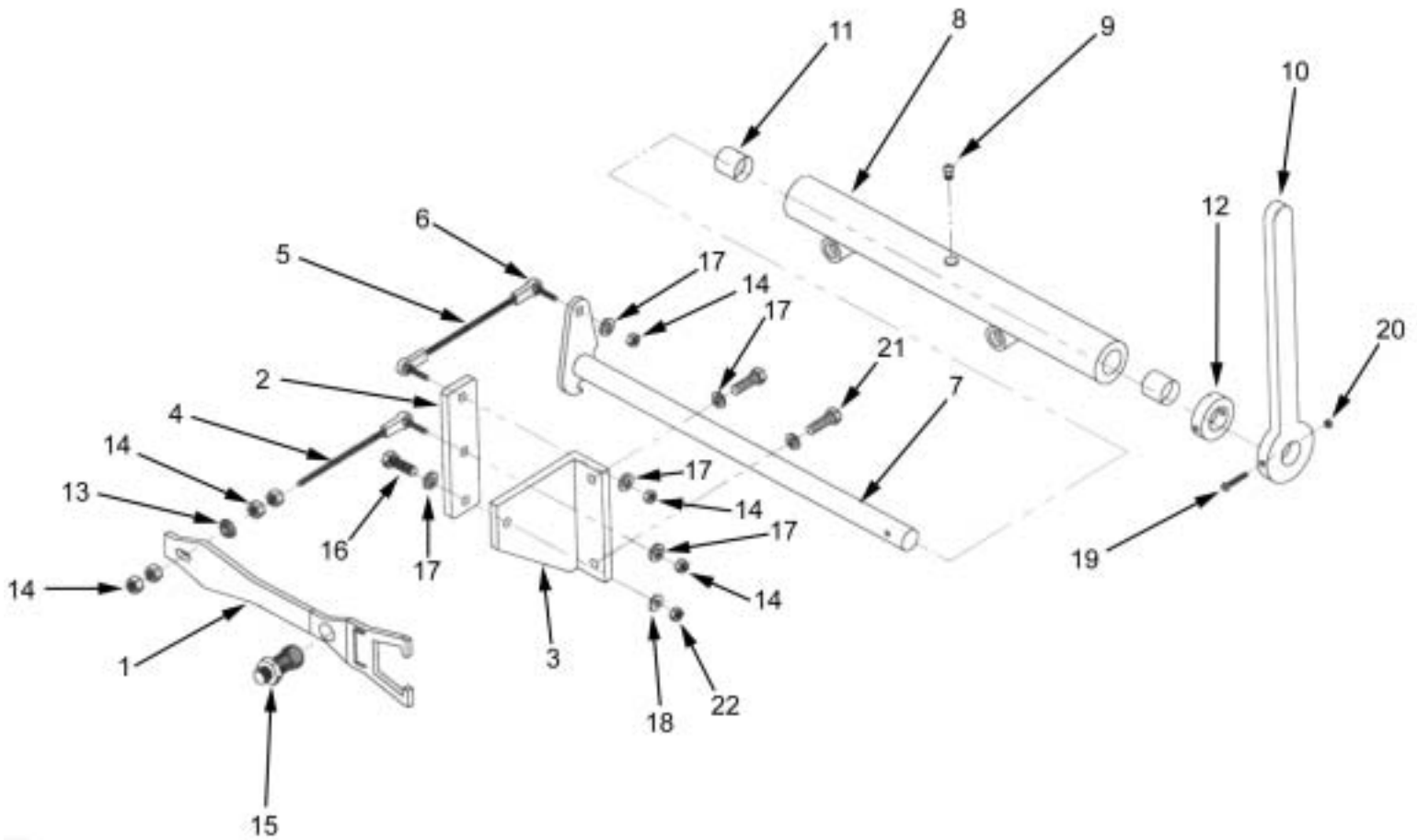


Parts Breakdown Section

6.9 Auto PTO Linkage - 2003



ITEM NO.	PART NUMBER	DESCRIPTION	ITEM NO.	PART NUMBER	DESCRIPTION
1.	41500063	Fork	13.	41500030	Rocker Ball
2.	41500027	Linkage Bracket	14.	45000050	Nut, 3/8 - 16
3.	41500026	Linkage Bracket	15.	41500001	Pivot Ball
4.	41500067	Linkage Rod	16.	15000177	Bolt, 3/8 - 16 x 1 3/4"
5.	41500066	Linkage Rod	17.	45000063	Lock Washer, 3/8"
6.	41500019	Linkage Rod End	18.	45000064	Flat Washer, 3/8"
7.	41500041	Shaft, Lever	19.	45000012	Bolt, 1/4 - 28 x 2"
8.	41500042	Shaft Housing	20.	45000015	Locknut, 1/4 - 28
9.	41500043	Grease Zerk	21.	45000055	Bolt, 3/8 - 16 x 1 1/4"
10.	41500044	Clutch Handle	22.	45000051	Locknut, 3/8 - 16
11.	41500045	Shaft Bushing	23.	41500002	Assembly, PTO Lever
12.	41500046	Shaft Collar			