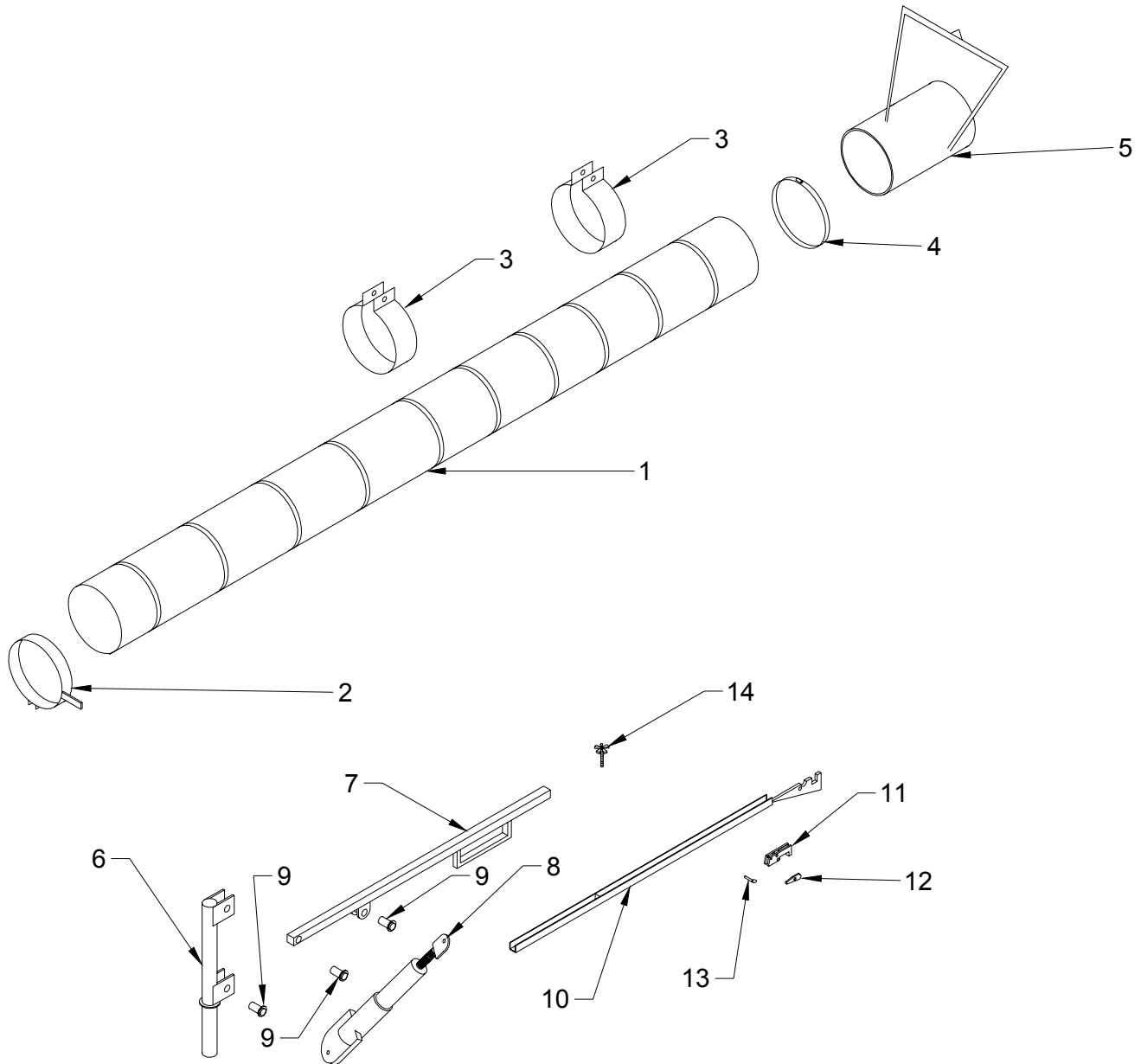


Parts Breakdown Section

6.14 Intake Hose / Boom Group



ITEM NO.	PART NUMBER	DESCRIPTION	ITEM NO.	PART NUMBER	DESCRIPTION
1.	LC-SDH.16.120.UC	Intake Hose	8.	450.1609	Boom Spring Assembly
2.	450.1607	Hose Band, Housing	9.	200011	Pin
3.	LCT616.603U	Support Band	10.	450.1601B	Boom Extension
4.	SCL816.604	Hose Band, Nozzle	11.	450.1602	Nozzle Latch Hook
5.	LCT616.601	Intake Nozzle	12.	450.1603	Nozzle Latch Bracket
6.	450.1608	Boom Mast	13.	450.1604	Pin
7.	450.1601	Boom Arm	14.	450.1605	Lockdown Knob

Manufactured by



ODB COMPANY