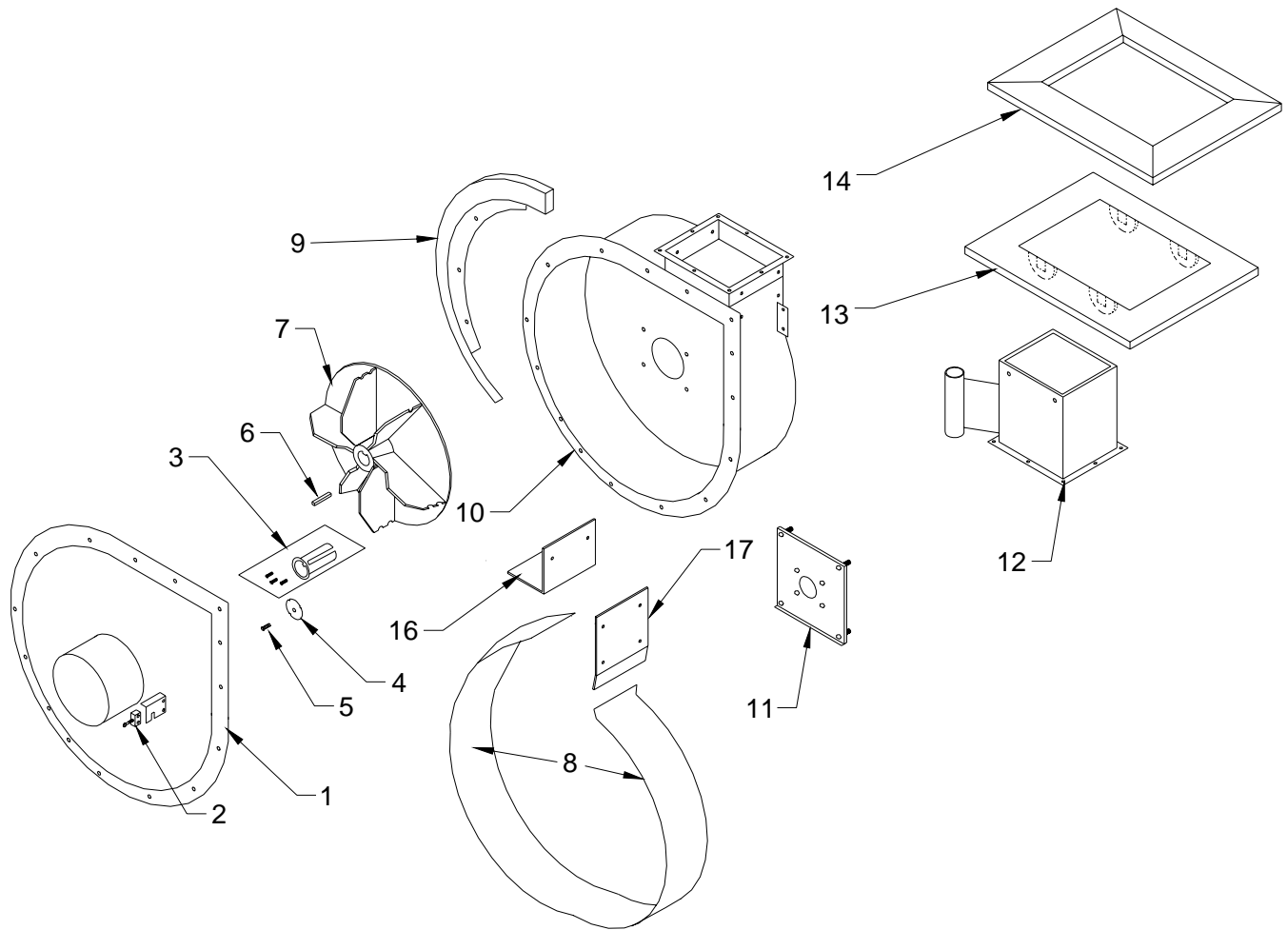


Parts Breakdown Section

6.10 Blower Housing Group



ITEM NO.	PART NUMBER	DESCRIPTION	ITEM NO.	PART NUMBER	DESCRIPTION
1.	450.1002	Blower Housing Face	9.	450.1010	Hose Guard
2.	65.1606	Limit Switch	10.	450.1002A*	Blower Housing Back*
3.	450.1005	Bushing and Bolts	11.	450.1408	Bearing Plate
4.	450.1004H	Dust Cover	12.	550.1006	Exhaust Duct
5.	450.1004Z	Bolt for Dust Cover	13.	550.1007	Flange
6.	450.1005B	Key	14.	550.1007G	Gasket
7.	450.1004	Impeller	16.	450.1002D*	Curved Neck Liner*
8.	450.1002L 450.1002L2*	Liner Set (2003 model) Liner Set (2004 model)*	17.	450.1002E*	Straight Outer Neck Liner*

*new in 2004

Manufactured by



ODB COMPANY